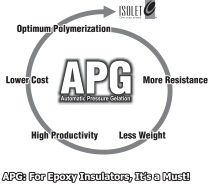



Modelo / Model / Modelo	MTA-17,5 JO10-95																																																															
																																																																
Umáx. / Um / Umax. (kV)	17,5																																																															
Tensão Sup. / Pow. Freq. Volt. / Ens. Dielec. (kV)	50																																																															
NBI / BIL / BIL (kV)	95 (ABNT=110 kV)																																																															
Dist. Escoa. / Creep. Distan. / Dist. Fuga (mm)	259																																																															
Nº Saias / Nº Ripples / Nº Saias	6																																																															
Massa / Mass / Masa (kg)	1,263																																																															
Temp. Trab. / Work Temp. / Temp. Trab. (°C)	-20 até/ up to / hasta +75°C																																																															
Cor / Color / Cor	Marrom/Brown/Marrón RAL 8016																																																															
Flexão / Bending / Flexion (N)	> 10000 (P ₀)																																																															
Insertos / Inserts / Insertos IEC 60273 →	<table border="1"> <thead> <tr> <th>D1</th> <th>C1</th> <th>T1</th> <th>D2</th> <th>C2</th> <th>T2</th> <th>D3</th> <th>C3</th> <th>T3</th> </tr> <tr> <td></td> <td>(mm)</td> <td>(N.m)</td> <td></td> <td>(mm)</td> <td>(N.m)</td> <td>(x2)</td> <td>(mm)</td> <td>(N.m)</td> </tr> </thead> <tbody> <tr> <td>M12</td> <td>33</td> <td>75</td> <td>M12</td> <td>35</td> <td>110</td> <td>-</td> <td>-</td> <td>-</td> </tr> <tr> <td>M12</td> <td>33</td> <td>75</td> <td>M16</td> <td>35</td> <td>110</td> <td>-</td> <td>-</td> <td>-</td> </tr> <tr> <td>M16</td> <td>33</td> <td>75</td> <td>M20</td> <td>35</td> <td>110</td> <td>-</td> <td>-</td> <td>-</td> </tr> <tr> <td>5/8"</td> <td>33</td> <td>75</td> <td>3/4"</td> <td>35</td> <td>110</td> <td>3/8"</td> <td>16</td> <td>20</td> </tr> <tr> <td>M16</td> <td>33</td> <td>75</td> <td>M20</td> <td>35</td> <td>110</td> <td>M10</td> <td>16</td> <td>20</td> </tr> </tbody> </table>	D1	C1	T1	D2	C2	T2	D3	C3	T3		(mm)	(N.m)		(mm)	(N.m)	(x2)	(mm)	(N.m)	M12	33	75	M12	35	110	-	-	-	M12	33	75	M16	35	110	-	-	-	M16	33	75	M20	35	110	-	-	-	5/8"	33	75	3/4"	35	110	3/8"	16	20	M16	33	75	M20	35	110	M10	16	20
D1	C1	T1	D2	C2	T2	D3	C3	T3																																																								
	(mm)	(N.m)		(mm)	(N.m)	(x2)	(mm)	(N.m)																																																								
M12	33	75	M12	35	110	-	-	-																																																								
M12	33	75	M16	35	110	-	-	-																																																								
M16	33	75	M20	35	110	-	-	-																																																								
5/8"	33	75	3/4"	35	110	3/8"	16	20																																																								
M16	33	75	M20	35	110	M10	16	20																																																								
Dimensões / Dimensions / Dimensiones (mm)	